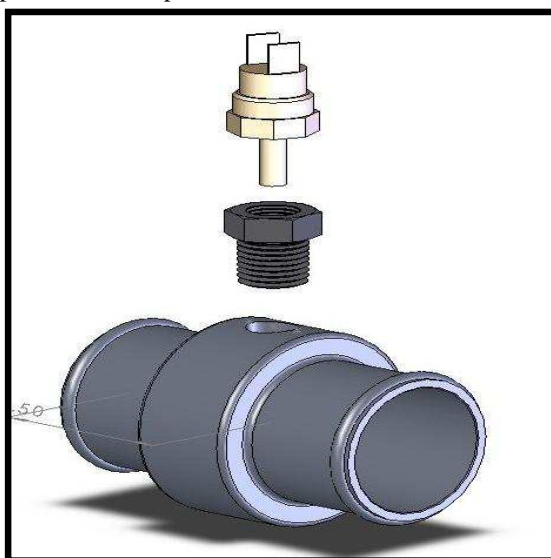




GMT355 Electric Fan conversion P-030003

To be installed by competent mechanic only.

1. Follow instructions for electric fan install P-030001.
2. The provided hose splice must be installed in the lower radiator hose on the driver's side. Remove hose and cut about 4 inches back and remove appropriately 1 additional inch to allow room for splice. The temperature sensor will install upright. Install the temperature sensor and adapter fitting into the hose splice, using teflon tape. Do not overtighten! Reinstall radiator hose to radiator. Use supplied hose clamps.



Wiring

There are 5 connections to the sub harness.

1. The three pin connector will plug into the main harness installed with P-030001
2. The fuse box will split into two pieces, a top piece (where the fuses sit) and a bottom piece (where you will see C1 and C2).
3. The Pink wire will be ran into the fuse box and tapped into ignition wire. See chart below. Use supplied wire taps.

Vehicle	Fuse box connector	Pin Location	Color
Colorado/Canyon	C7	F3	Pink
Hummers	C1	2	Pink

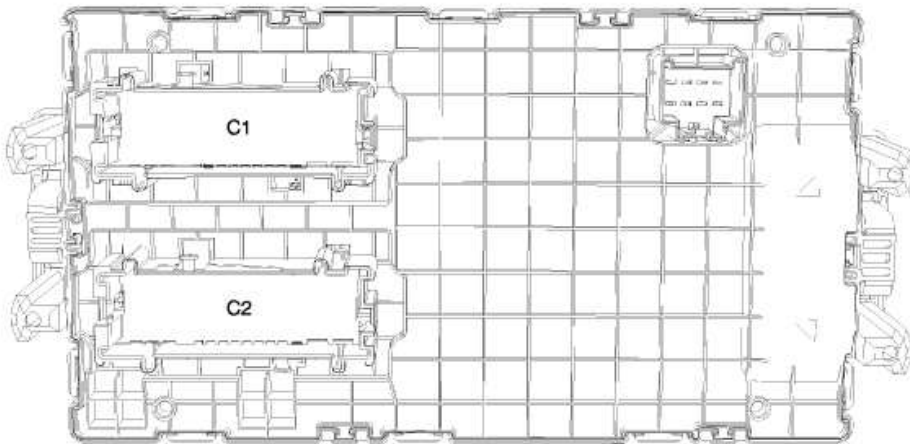
4. The Green wire will be ran into the fuse box and tapped into the AC control wire. See chart below. Use supplied wire taps.

Vehicle	Fuse box connector	Pin Location	Color
Colorado/Canyon	C7	F5	Green/White Stripe
Hummers	C2	38	Green/White Stripe

5. The two spade connectors will be pushed onto the temperature sensor. It does not matter how they are plugged in.

6. The ground will share the same ground as the main harness located behind the battery.
7. Be sure to secure any wiring with included zip ties.

H3 fuse box



Colorado Fuse Box

Fuse Block – Underhood Bottom View

