

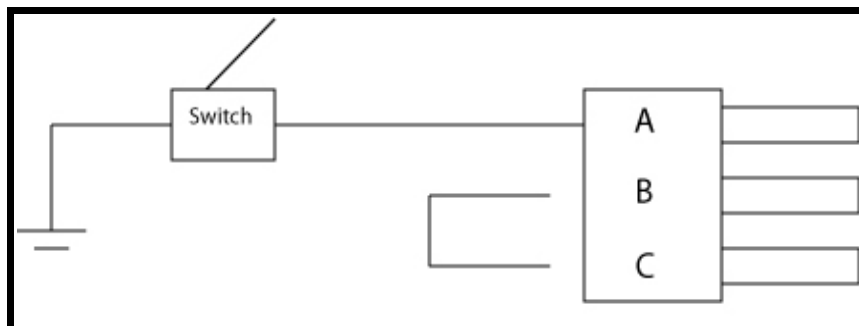


GMT355 Electric Fan conversion **P-030001DIY**

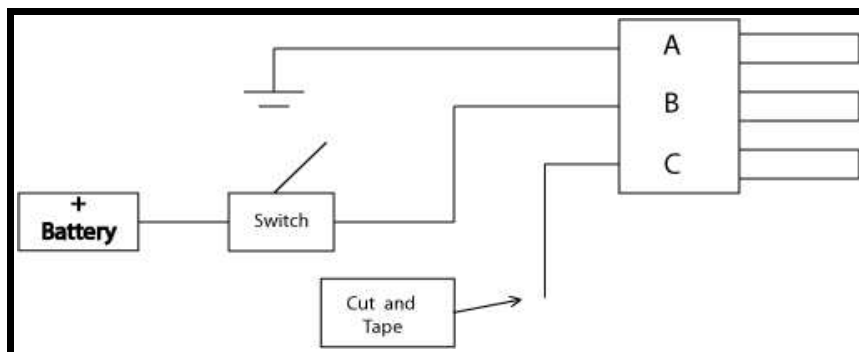
By purchasing this kit P-030001DIY you agree that you are capable of installing such a kit and handling the do-it-yourself wiring needed to do so. We cannot offer technical or wiring advice outside what is covered in this document.

There are two harnesses mentioned in this document. The main harness is the larger harness that includes the fan connector, relay connector, fuse, etc. **Instructions for installing the main harness and the electric fan assembly are included with the main harness.** The sub-harness includes a 3 wire connector and a small bit of wire. There are three different ways of activating the fan, all of which require some modification to the sub-harness and not the main harness.

If your controller, switch, or controls offer a ground simply leave the loop between 3 way connector pins B & C and ground pin A through a switch.



If your controller, switch, or controls offer a +12V signal you may connect the sub-harness as follows. Ground pin A, cut and tape pin C, and apply power to pin B when you would like the fan to come on.



If your controller, switch, or controls do not offer a ground or +12V signal you may connect the sub-harness as follows. Ground pin A and connect pins B & C thru a switch.

